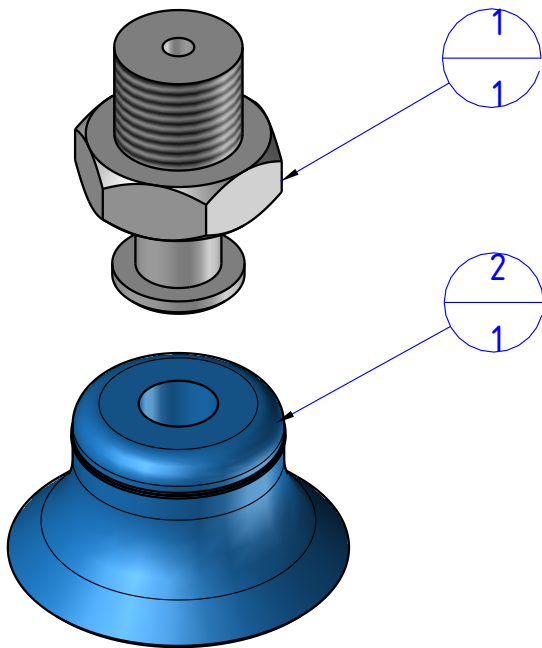
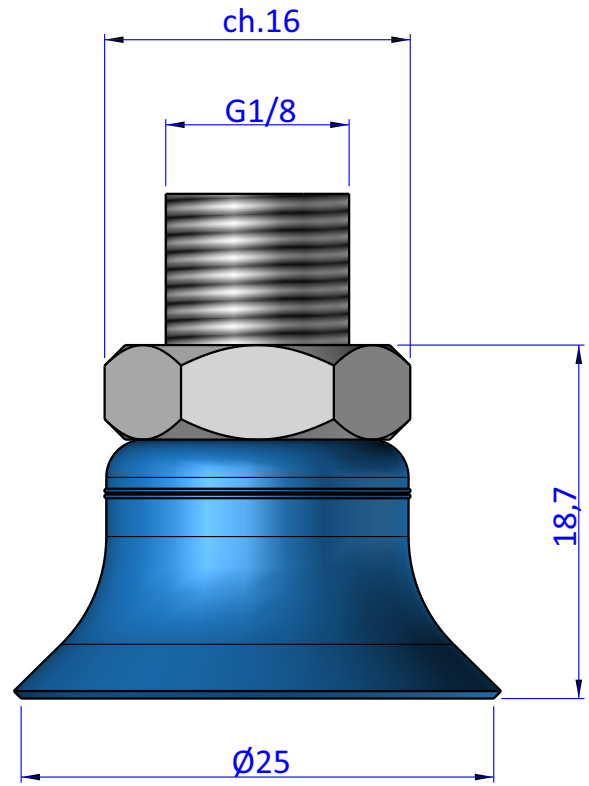


THE PROPERTY OF THE DRAWING IS ESTABLISHED BY LAW. IT IS FORBIDDEN TO PRODUCE OR SHOW IT TO THIRD PART. WITHOUT A WRITTEN AGREEMENT.

Item	Name	Q.ty
1	CA.08.09.017	1
2	CA.08.29.007	1



DESIGNED FROM FPS Automation		REVIEW A
DATE 07/01/2021	WEIGHT 0,007kg	
CODE KIT.08.29.D25		

Format A4	GENERAL TOLERANCE UNI - ISO 2768 CLASSE f	DESCRIPTION KIT.08.29.D25
------------------	--	-------------------------------------

UNI 936-76